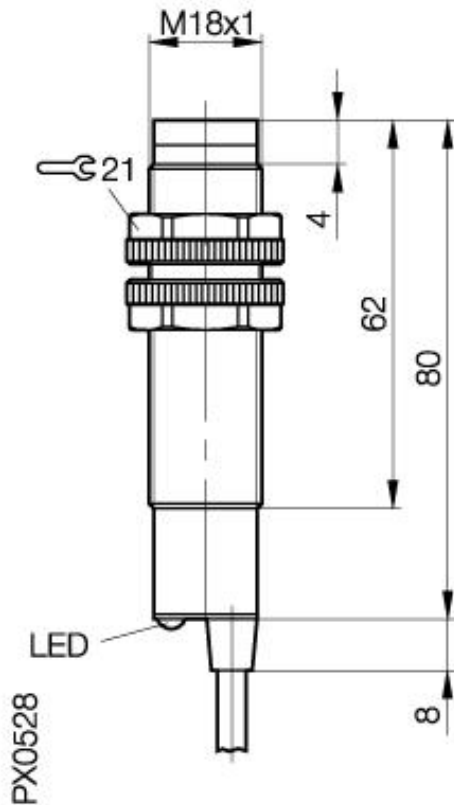


Photoelectric Sensor
BLE 18K-WS-7P-BO-L-03
Sn=16000mm
through-beam



Common Data

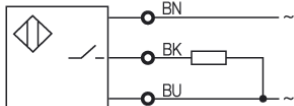
Series	18K
Sensortype	through-beam
Switching frequency	10 Hz
Rated operating distance Sn in mm	16000
assured operating distance Sa	16000
Repeat accuracy	< 5% from Sn
Hysteresis	< 10%
Indication Supply Voltage	no
Ambient temperature	-5...+55°C
On-delay	< 50ms
Off-delay	< 50ms
Light	Infrared
Blind zone / min Reflector distance	0
Permissible ambient light	2000 Lux
Output function	dark-on

Mechanical Data

Measurements	M18x80
Shock	Halfsinus, 30gn, 11ms
Vibration	10...55Hz, 1,5mm Amplitude 3x2h
Housing material	ABS UL 94 V-O
Material of sensing face	PMMA
Degree of protection	IP67
Connection	Cable
Type of Cable	PVC

Electrical Data

Current	AC
Switching function	normally-open
Rated operational voltage Ue	110V AC
Rated operational current Ie	5...200mA
Supply Voltage	20...250V AC
Ripple	-
Frequency of Supply Voltage	50Hz
Voltage drop	<4V
Rated insulation voltage	250V AC



Utilization categories
 Insulation class

Datasheet number:

Definitions see general catalog.
 If not otherwise noted, ratings according to
 IEC 60947-5-2 (DIN EN60947-5-2)

Balluff GmbH
 Schurwaldstrasse 9
 73765 Neuhausen a.d.F.
 Phone (07158) 173-0 Fax (07158) 5010

Datenblatt by CD-ROM - 04/2007